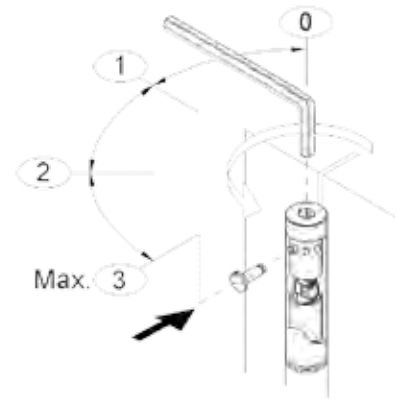
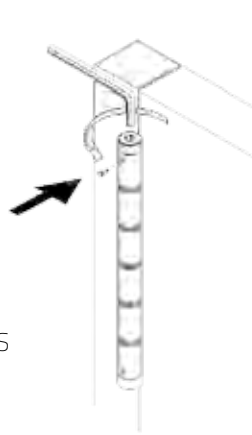
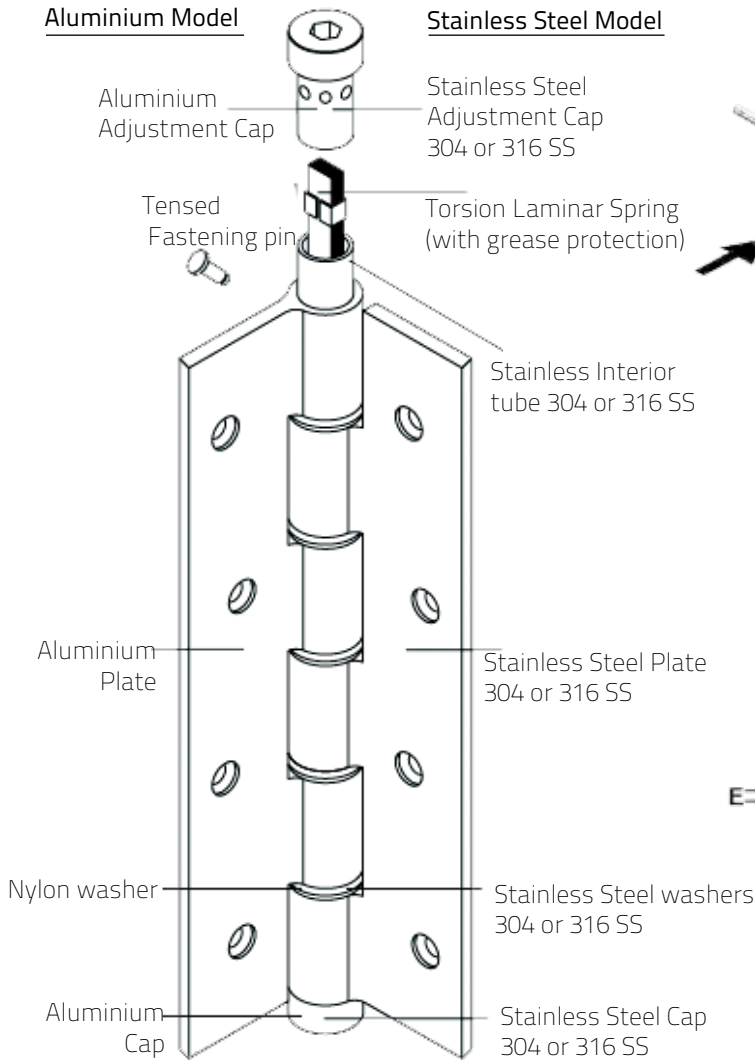


Spring Hinge SA180 Technical Data

Aluminium, Zinc, 304 & 316 Marine Grade Stainless Steel

Anatomy of a Single Action Spring Hinge:

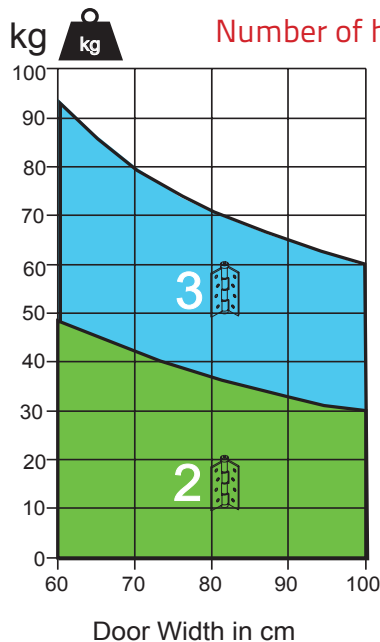
SA180 Adjustment Instructions:



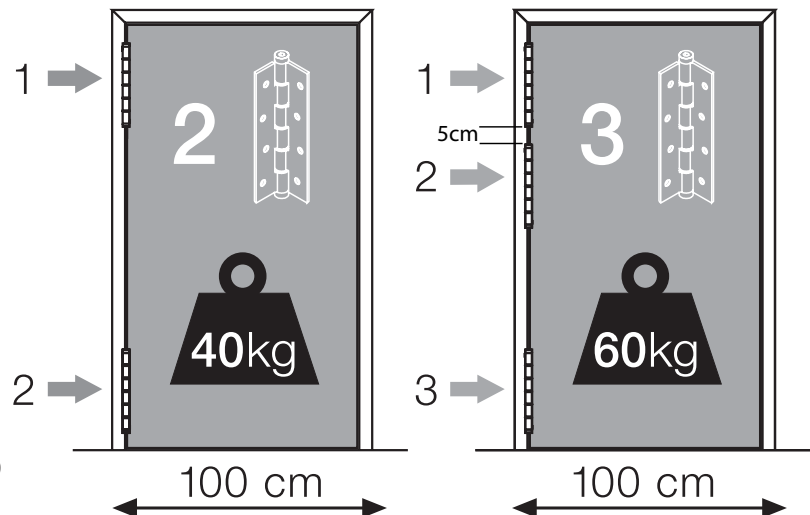
Single Action Hinge Size and Dimensions

All measurements in mm

Model	SA180 Alum & ZP	SA180 SS & S3
A	Ø16	Ø18
B	180	180
C	80	80
D	4	3
E	Ø5	Ø5



Number of hinges required per door based on door weight & width



Spring Hinge SA180 Functional Data

Aluminium, Zinc, 304 & 316 Marine Grade Stainless Steel

Now there is no longer a need for unsightly door closers, the SA180 family of Single Action Spring Hinge are designed to automatically close a door with a subtle visual appearance. It is sleek, stylish and simple. Made in Spain by Justor the SA180 is highly functional and totally adjustable, ideal for all doors that weigh up to 92Kg (refer graph).

Simplistically, the spring will act as a door closer and close the door once opened. Made out of Aluminium, Zinc or AISI 304 or 316 Stainless Steel the SA180 Single Action Spring Hinge is ideal for internal or external applications. Once installed the SA180 spring hinge can be adjusted to bring the door back quickly or slowly via multiple tension settings. Each setting provides detailed control of door closure speed. Adjustments can be made without having to take the door down.

Currently the SA180 spring hinge is being used on perimeter doors, pool doors, gates, front doors, large feature doors, office doors & WC doors, just to name a few. The SA180 has been installed in Restaurants, Hospitals, Commercial Buildings, Apartments, Boats, Residential Environments and general projects of all sizes throughout Australia and New Zealand

An added advantage of the SA180 is its appearance; aesthetically pleasing to the eye, it is sleek and has clean lines. Cost effective and highly functional, it is a real and effective alternative to traditional and unsightly door closers and closing solutions. It's guaranteed for 2 years and available in a range of finishes and base materials; the Justor SA180 is hard to overlook.

The SA180 has won international design awards, and is made to exacting European standards in Spain by Justor. The SA180 is a maintenance free solution, no periodic greasing or adjustments required. A smart design. The SA180 represents a smarter option when it comes to design and aesthetics.

SA180 Quick Facts:

- Spring Resistance + 500,000 cycles
- Aluminium or 304 & 316 Stainless Steel
- Resistant to extreme Climatic Conditions (Cold and Humidity)
- Maximum resistance to bending
- Up to 92Kg in Door Weight
- Torsion Spring not a Coil Spring
- Variable Closing Strength (speed)
- Highly Efficient 180° Working Aperture
- For Wood or Aluminium Doors
- Slim Profile vs.. Bulky Door Closer
- Quick & Simple Installation
- No Periodical Greasing Required
- Available Finish: Stainless Steel, Silver, Bronze or Gold (by request)
- Manufactured in Spain and comes with a 2 Year Manufacturer's Guarantee



Anodized Black



Aluminium PC White



Zinc



Anodized Silver

Ideal for welding onto metal jambs & doors



304 & 316 Stainless Steel

316 marine grade ideal for sea air environments

Where SA180 is being used

- Residential Environments
- Apartment Buildings
- Hotels of All Sizes
- Commercial Environments
- Industrial Estates
- Hospitals
- Restaurant Kitchens

Order Codes:

Base Material: Aluminium

- BISA180AS - Anodized Silver
- BISA180BLK - Anodized Black - *new*
- BISA180WHT - Aluminium PC White - *new*
- BISA180NB - Anodized Black (*Non Sprung*) - *new*
- BISA180NW - Aluminium PC White (*Non Sprung*) - *new*
- BISA180AB - Anodized Bronze (by request)
- BISA180AG - Anodized Gold (by request)

Base Material: Zinc

- BISA180ZP - Zinc - *new*

Base Material: Stainless Steel

- BISA180SS - 304 Marine Grade SS
- BISA180S3 - 316 Marine Grade SS - *new*